

MOTOR LOCK
6300



The most advanced motor lock on the market

SAFETRON motor lock 6300 is our quickest and most advanced motor lock yet. Motor lock 6300 is a narrow profile motor lock with a back set of 35mm which locks/unlocks in less than 0.2 seconds and therefore no separate day lock is required for high-frequency doors.

6300 is designed to work with automatic door systems. Typical applications include day, night and security locks in commerce, offices and industry and in applications where demands of high security is required.

Certified

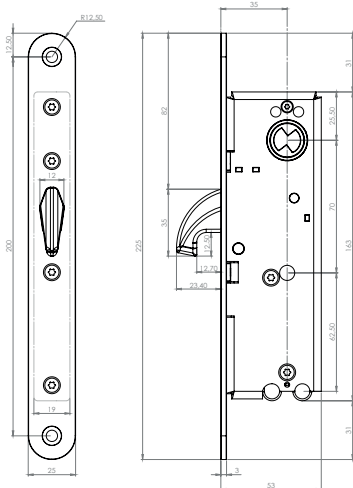
SAFETRON motor lock 6300 is certified according to SS-EN 14846 Grade 7 and SSF-3522 classes 3, 4 and 5. The motor lock has a built-in navigable display. The display enables setup configuration and information extraction from the lock, e.g. installation date and error codes.

Cable lengths

Together with the TwoCom-control unit the system delivers 128-bit encryption for the highest security. The TwoCom system allows cable lengths of up to 100 metres between the lock case and the control unit. This enables new possibilities for the installation of the control unit, e.g. it can be placed in protected environments such as electric-central rooms, server rooms, etc.

Connection

The TwoCom-system connects with only two wires between the lock case and the control unit. In these two wires, power supply, communication and encryption runs parallel. Initialization is done automatically. The TC-system also adds the possibility for serial coupling of two motor locks with one TC-control unit.

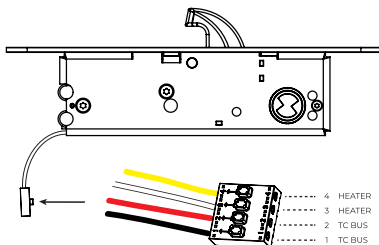


PROPERTIES

- Back set 35 mm
- Hook bolt
- Time for unlocking/relocking less than 0,2 sec
- Mechanical key override (90° key turn)
- Designed for use with automatic door systems
- Automatic initialization
- TwoCom BUS technology
- Event log
- Paralell setup, up to two motor locks with one TwoCom control unit
- Motor lock 6300 is certified in accordance with SS-EN 14846 grade 7 and SSF-3522 class 3, 4 and 5

TECHNICAL DATA

- Direct voltage 10-48VDC, 8-35VAC
- Power consumption: 60 mA @ 24VDC, max 300 mA vid aktivering
- Operating temperature -30°C till +70°C
- Fits Scandinavian oval and round cylinder
- Used with accessories for 13787 (e.g. 4559)



DESCRIPTION	ART NO	E-NO
Motor lock 6300 TC	202 144 705	5866981
Motor lock 6300 TC complete set	202 144 713	5866978

Complete set: Motor lock 6300, control unit TC, cable C04 (10m), strike plate 106-5, cable transfer CT81